

TB Series

PRODUCT DATA SHEET

Metal Heater

Durable, efficient chemical heater

For use in most aqueous alkaline solutions

Low watt density design saves space & ensures long life

Vapor resistant, flame retardant polypropylene terminal

Grounded construction and built in thermal protector



500 watts to 2,000 watts



120 to 480 volts



304 stainless steel, 316 stainless steel, Titanium



cULus listed (except steel) and CE compliant

TB SERIES, 1-1/4" SMALL TANK SCREW PLUG HEATERS							
WATTS	VOLTS	OVERALL LENGTH In./ (mm)	NPT	304 SS	316 SS	TITANIUM	SHIP WGT. Lbs./ (kg)
500	120	8	1-1/4"	FTB.5108	STB.5108	TTB.5108	8
	240	(203)		FTB.5208	STB.5208	TTB.5208	(3.6)
1000	120	10	1-1/4"	FTB1110	STB1110	TTB1110	10
	240	(254)		FTB1210	STB1210	TTB1210	(4.5)
1500	120	14	1-1/4"	FTB1.5114	STB1.5114	TTB1.5114	14
	240	(356)		FTB1.5214	STB1.5214	TTB1.5214	(6.4)
2000	120	17	1-1/4"	FTB2117	STB2117	TTB2117	17
	240	(432)		FTB2217	STB2217	TTB2217	(7.7)

Single phase only

**PROCESS
TECHNOLOGY**

ISO 9001:2015
WITH DESIGN CERTIFIED

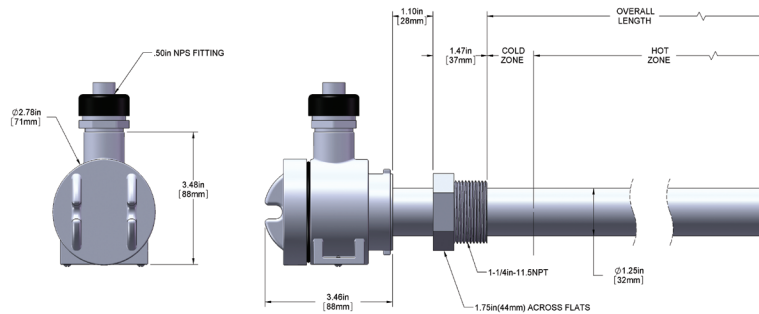
Features & Values

- For use in most aqueous alkaline solutions, and plating and phosphate tanks. Check solution recommendation chart with your chemical supplier for proper sheath material selection.
- Heavy wall metal sheaths available in: 304 stainless steel, 316 stainless steel and Titanium
- Watt densities up to 40 watts per square inch (6.2 w/cm²) ensure long service life.
- Vapor resistant, flame retardant polypropylene terminal enclosure with 3 ft (.9m) flexible PVC liquid tight conduit.

Specifications

Wattages	500 watts to 1,500 watts
Voltages	120 to 480 volts
Options	<ul style="list-style-type: none"> ▫ Special configurations and lengths ▫ Explosion resistant enclosures. ▫ Longer wire and conduit lengths ▫ Lower watt densities for highly viscous solutions ▫ Temperature and level controls sized to match the heater
Safety Features	<ul style="list-style-type: none"> ▫ Grounded construction
Certifications	cULus listed (except steel) and CE compliant

Dimensions



Model Number Breakdown

Series	Wattage	Voltage	Length (in.)	Options	Wire and Conduit Length
FTB = 304 Stainless Steel	.5 = 500	1 = 120	8 = .5kW	single phase power only	no designator = 36" length standard
STB = 316 Stainless Steel	1 = 1000	2 = 240	10 = .5kW		
TTB = Titanium	1.5 = 1500	3 = 380	14 = 1kW		specify variations from standard Ex: -X84 = 84"
	2 = 2000	4 = 480	17 = 1.5kW		
		5 = 415	(custom lengths available)		
		6 = 600			
		7 = 400			
		8 = 208			
		9 = 220			
		0 = 200			